

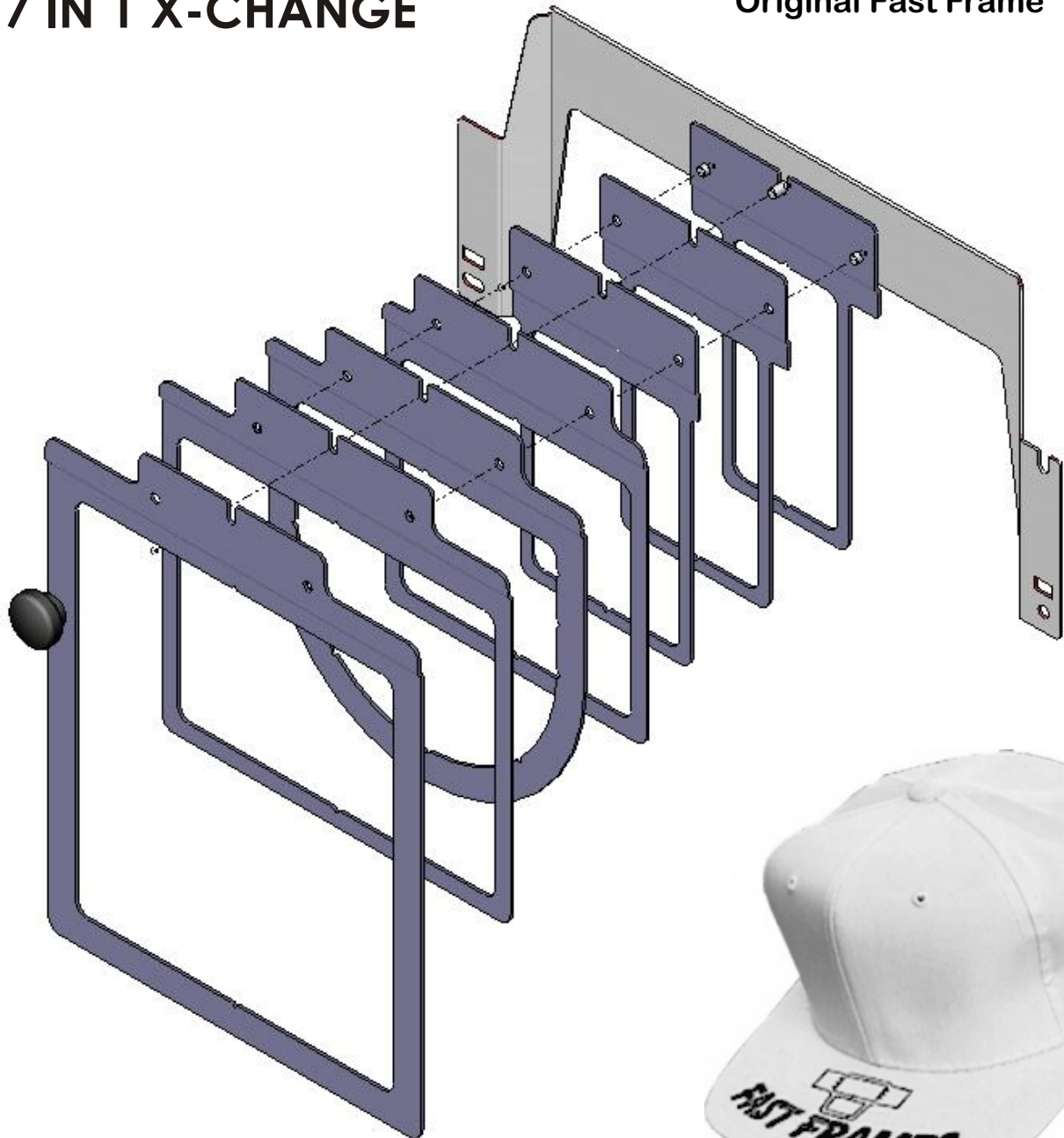
The Original

FAST FRAMES INC.

SEW WHERE YOU HAVE NEVER SEWN BEFORE

7 IN 1 X-CHANGE

Don't Settle for anything less than the
Original Fast Frame



2009 SHOW CATALOG

FASTFRAMES INC.

X-Change 7 Frames in One

Msrp \$329.00

Add on's for "X" add on per piece

Msrp \$ 40.00

Add on's for "X" add on per piece (Large sizes)

Msrp \$ 45.00

Single piece hoops

Msrp \$84.00

Single piece sleeve hoops

Msrp \$116.00

Jumbo single piece hoop

Msrp \$128.00

Dog Collar

Msrp \$268.00

Military name tape

Msrp \$285.00

Table Top for PR600/ BABYLOCK PRO

Msrp \$349.00

BACKING

4 1/2" x 25 yards White or Black..... \$18.00

8" x 25 yards White or Black..... \$29.00

21" x 25 yards White..... \$64.50

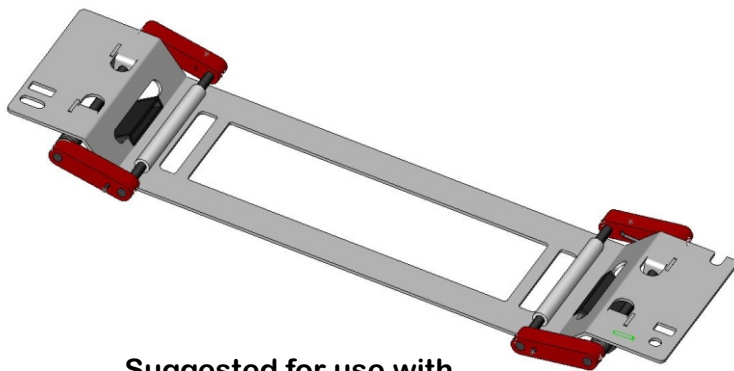
Clam Clips Med or Large.....\$16.00

1-800-997-8792

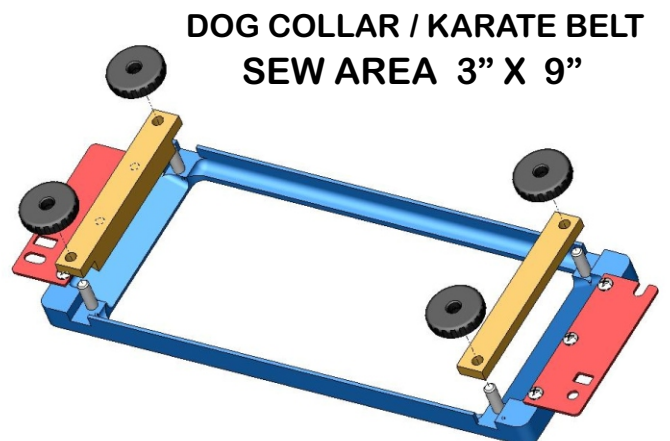
1-509-684-2737

1-509-684-2464 fax

WWW.FASTFRAMES.COM



Suggested for use with
Material on spool
Hoop in 2 seconds
NAME TAPE



**DOG COLLAR / KARATE BELT
SEW AREA 3" X 9"**

The Original

FASTFRAMES INC.

THIS SET COMES WITH:

THE ARM FOR YOUR MACHINE TYPE

2 X 4 MONO HOOP

2.5 X 4 POCKET HOOP

3 X 4 POCKET HOOP

5 X 4 CHRISTMAS STOCKING HOOP

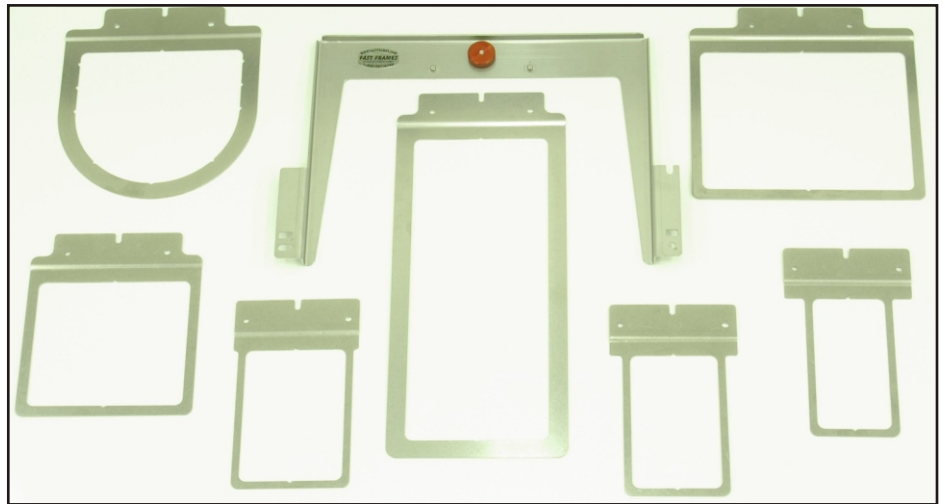
6" RADIUS HAT HOOP

FOR SIDES AND BACKS OF HATS

7 X 5 ATTACHE CASE HOOP

4.5 x11 SLEEVE HOOP

7 IN 1 X-change



2.0" MONO The mono is used on woven (non-stretch) fabric The pocket opening must be a minimum of 5 inches. The bobbin arm needs to fit into the pocket and still have room to travel. Also used on Socks fanny packs, Cd cases, handy for non-hoopable items.

2.5" POCKET The 2.5 is used for many items listed above it may be used on woven or stretch. (woven must have a 5 1/2 in. opening) When sewing matching men and women's garments. The ladies size may have a smaller pocket opening it may require this size and the 3' for the mans pocket.

3.0" POCKET The pocket hoop is used on pockets that have stretch (knit or jersey) The stretch allows room for the bobbin case to fit in the pocket with room for movement. Also good for drill team socks, short sleeves, Cd cases,

5.0" x 4.0" Comp The comp is used on various material types. Such as leather, canvas nylon and velvet. It leaves no hoop burn. Use on bag pockets, flaps, short sleeve shirts and Christmas stockings (7 in. Opening 5 inch name without cutting stocking

7.0" x 5" The wider frame is used on larger bag pockets and flaps. It allows you to do many of the same items as the 5 x 4 it allows a larger logo when a bigger sew field is available.

5.7" x 5.2" Radius this frame is allows you to sew the backs of caps, sides of caps, bucket caps, cuffs of sleeves, collar tips, ribbons etc. The notches cut in the frame provide line up points and the radius fits the curve of the cap.

4.5" X 11" Was designed for embroidery down sleeves and pant legs. It is also used for sewing in-between button holes and across the collar of a button down shirt.

Pocket's



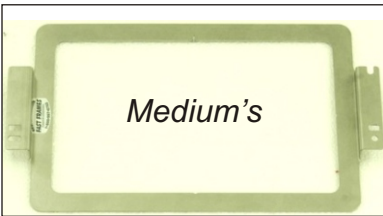
2" x 4"
2 1/2" x 4"
3" x 4"
4" x 4"
5" x 4"
7" x 5"
7" x 8"

Sleeve's



3" X 11"
4 1/2 X 11"

Medium's



9" X 6 1/2"
10 1/2 " X 6 1/2"

Medium Talls



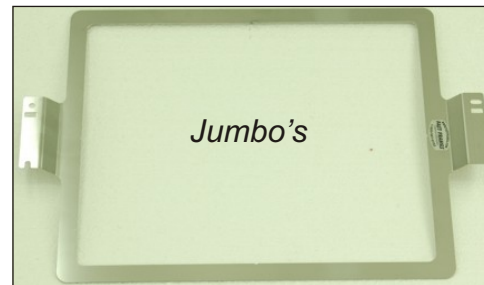
10 1/2 " X 12"

Large's



14" X 6.5" and 18" X 6.5" depends on machine

Jumbo's



14" X 12" and 18" X 12" depends on machine

**WE MAKE CUSTOM SIZE HOOPS DAILY
IF YOU DON'T SEE WHAT YOU NEED
CALL US WE CAN MAKE YOUR SIZE**

MACHINE TYPES WE MANUFACTURE FOR

BABY LOCK PRO
AEMCO
Barudan junior
Barudan520
Barudan520 EQ
Barudan380
Barudan380 EQ
Brother
Brother PR600
Happy 14"
Happy 17 1/2"
Happy 19 1/2"
Happy 20 1/4"

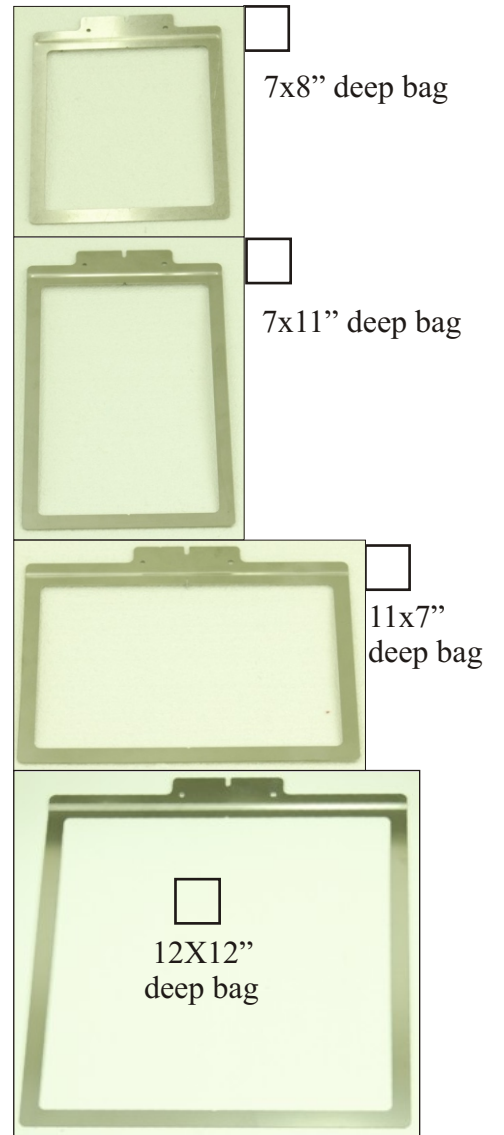
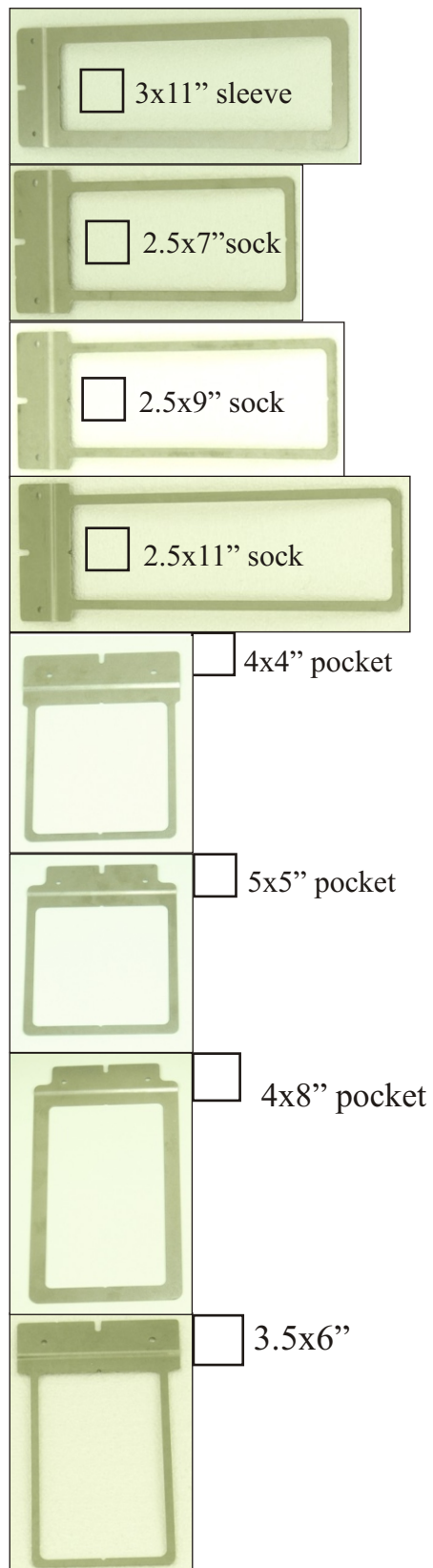
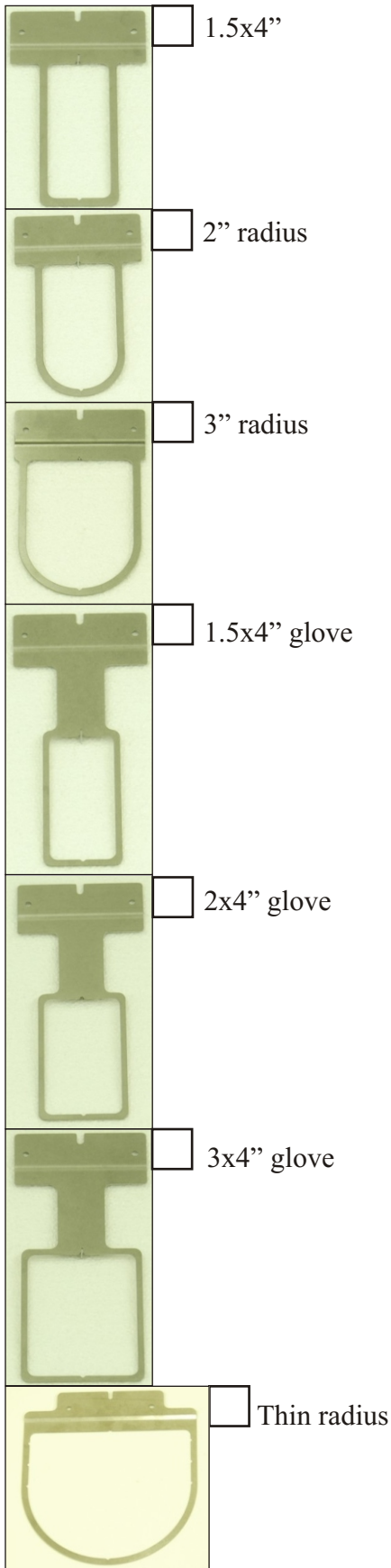
Melco EMC
Melco EMT
Melco EMB
Melco Amaya
SWF 14"
SWF 15 1/2"
SWF 19 5/8"
Tajima
Tajima NEO
Toyota 820/830
Toyota 850/860
Toyota 9000

Voyager
INBRO
Meistergram side mount
Meistergram back mount
ZSK
ZSK Wide
Prodigy
Generations
Renaissance
Vital Link
Janome MB4
Ricoma

The Original

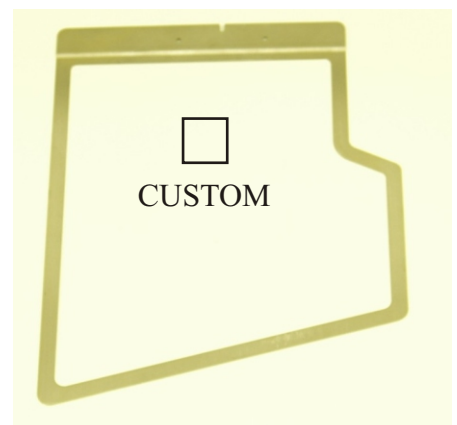
FASTFRAMES INC.

ADD On's



CUSTOM SIZE

X



The Original

FASTFRAMES INC.

PR600/ BABY LOCK PRO

JUST SLIDE LEFT ARM OUT TO WIDEST HOOP SIZE AND YOU ARE READY TO SEW

THIS SET COMES WITH:

THE ARM FOR YOUR MACHINE TYPE

2 X 4 MONO HOOP

2.5 X 4 POCKET HOOP

3 X 4 POCKET HOOP

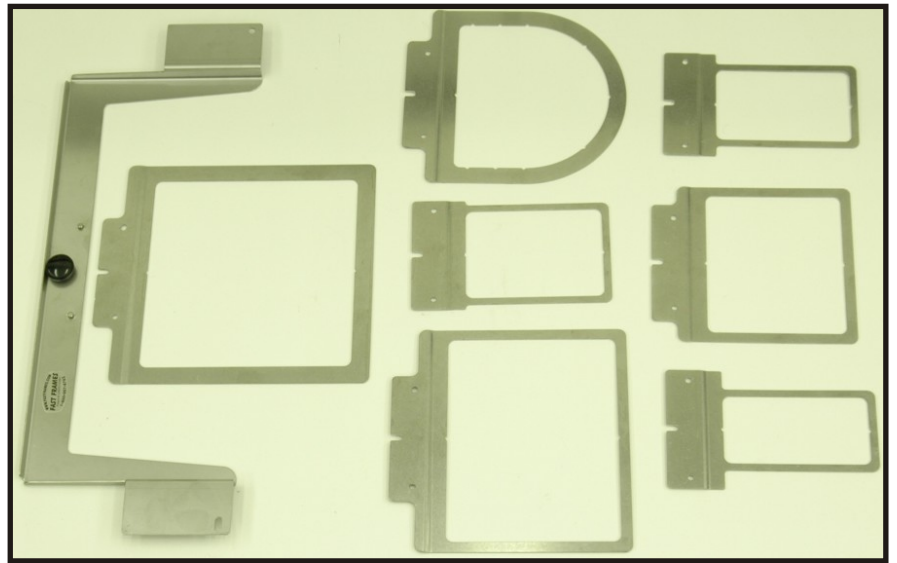
5 X 4 CHRISTMAS STOCKING HOOP

6" RADIUS HAT HOOP

FOR SIDES AND BACKS OF HATS

7 X 5 ATTACHE CASE HOOP

7 X 7 BAG HOOP



2.0" MONO The mono is used on woven (non-stretch) fabric The pocket opening must be a minimum of 5 inches. The bobbin arm needs to fit into the pocket and still have room to travel. Also used on Socks fanny packs, Cd cases, handy for non-hoopable items.

2.5" POCKET The 2.5 is used for many items listed above it may be used on woven or stretch. (woven must have a 5 1/2 in. opening) When sewing matching men and women's garments. The ladies size may have a smaller pocket opening it may require this size and the 3' for the mans pocket.

3.0" POCKET The pocket hoop is used on pockets that have stretch (knit or jersey) The stretch allows room for the bobbin case to fit in the pocket with room for movement. Also good for drill team socks, short sleeves, Cd cases,

5.0" x 4.0" Comp The comp is used on various material types. Such as leather, canvas nylon and velvet. It leaves no hoop burn. Use on bag pockets, flaps, short sleeve shirts and Christmas stockings (7 in. Opening 5 inch name without cutting stocking

7 IN 1 LT^X-change

7.0" x 5" The wider frame is used on larger bag pockets and flaps. It allows you to do many of the same items as the 5 x 4 it allows a larger logo when a bigger sew field is available.

5.7" x 5.2" Radius this frame is allows you to sew the backs of caps, sides of caps, bucket caps, cuffs of sleeves, collar tips, ribbons etc. The notches cut in the frame provide line up points and the radius fits the curve of the cap.

7." x 7." The wider frame is used on larger bag pockets and flaps. It allows you to do many of the same items as the 7 x 5 it allows a larger logo when a bigger sew field is available.

PR600/ BABYLOCK PRO Table Top



This is great for horse blankets, quilting, towels anything heavy that would need support



You can put it on in less then a minute

